



# ATyS C20/C30/C40

## Control relays

Transfer switches



ATyS C20 controller

ATYS\_451A



ATyS C30 controller

ATYS\_448\_B



ATyS C40 controller

ATYS\_589\_C

### The solution for

- Power and control separation
- Genset/Genset applications



### Strong points

- Auxiliary power supply
- Modular device
- Extended compatibility of use

### Conformity to standards

- IEC 61010-1
- IEC 61000-4-x
- IEC 60068-2-x



## Function

ATyS C20/C30/C40 are modular control relays. They ensure the automatic control of remotely controlled transfer switches, ATyS, ATyS S and ATyS M, as well as contactors, circuit breakers or other motorised switches.

## General characteristics

### ATyS C20/C30

- Inputs for auxiliary contact position information.
- 3U measurement on network 1 and 1U on network 2.
- 2 programmable inputs for the following functions: test on/off load, manual retransfer, start/stop transfer cycle.
- Up to 2 programmable outputs for the following functions: source availability information and circuit breaker control.
- 1 relay output for genset control.
- D10 or D20 remote interfaces are available for transferring data or control to the front panel (only on C30 version).

### ATyS C40

- Dual genset controller with a redundant genset application cycle (basic cycle).
- 1U and F measurement on each source - genset 1 & genset 2.
- 3 programmable inputs for the following functions: test on/off load, manual retransfer, start/stop transfer cycle.
- 1 programmable output for the following functions : source availability information and circuit breaker control.
- 2 genset control contacts (Gen1 & Gen2).

## Advantages

### Auxiliary power supply

Two versions of the ATyS C30 are available. One version with an AC supply via the measurement inputs and another with a DC auxiliary supply.

### Modular device

The ATyS C20, C30 and C40 are modular products (6 modules, 105 mm wide) which can be DIN-rail mounted.

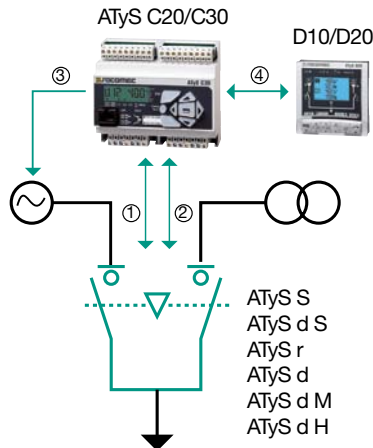
### Extended compatibility of use

The product is used with Socomec transfer switches, or those using identical technology. It is also compatible with contactor and circuit breaker technologies.

## Configurations

### ATyS C20/C30:

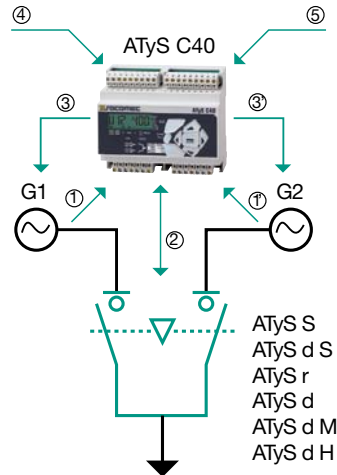
Mains/mains and mains/genset applications



1. Measurement and power supply
2. Control and position information feedback
3. Genset start / stop control
4. ATyS display/interface connection (only on C30 version)

### ATyS C40:

Genset/genset applications



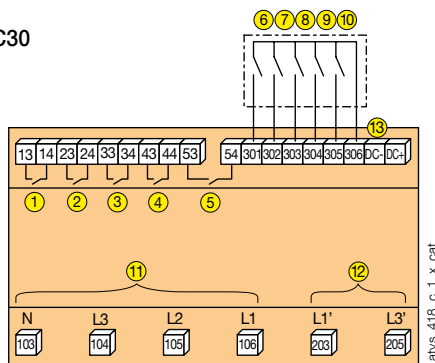
- 1 and 1'. 1U and F measurement for each genset
2. Control and position information feedback
- 3 and 3'. Genset "start/stop" control
4. External "start/stop" command for basic cycle
5. DC power supply

## Electrical characteristics

Supplied from measurement circuit	110 ... 400 VAC
DC power supply	9 ... 30 VDC
Measurement range	110 ... 400 VAC / ± 10 %
Frequency	50/60 Hz
Accuracy	± 1 %

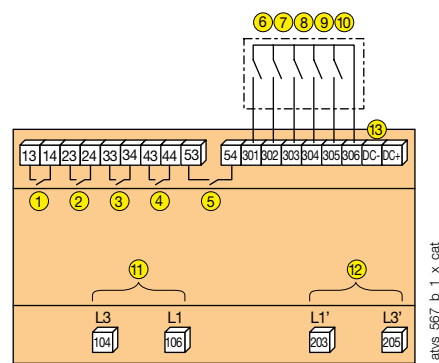
## Terminals

### ATyS C20/C30



1. Genset start / stop control
2. Position 1: power control
3. Position 2: power control
4. O1: programmable output
5. O2: programmable output
6. AC1: auxiliary contact position 1
7. AC0: auxiliary contact position 0
8. AC2: auxiliary contact position 2
9. I1: programmable input
10. I2: programmable input
11. Source 1 : 3 U network measurement and power supply
12. Source 2 : 1 U network measurement and power supply
13. DC power supply 9-30 VDC (version 1599 3031)

### ATyS C40



1. Genset G1 start / stop control
2. Position 1: power control
3. Position 2: power control
4. O1: programmable output
5. Genset G2 start / stop control
6. AC1: auxiliary contact position 1
7. I3: programmable input
8. AC2: auxiliary contact position 2
9. I1: programmable input
10. I2: programmable input
11. Genset G1: 1U measurement
12. Genset G2: 1U measurement
13. DC power supply 9-30 VDC

## References

Type	ATyS C20 Reference	ATyS C30 Reference	ATyS C40 Reference
Supplied from measurement circuit	1599 3020	1599 3030	
DC power supply		1599 3031	1599 3040