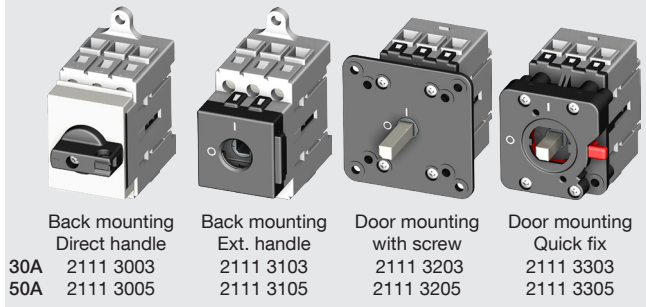
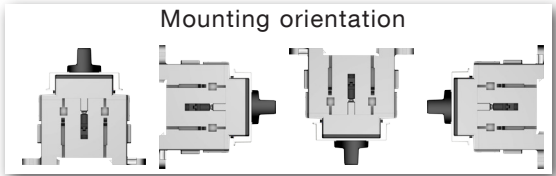




545640E



	Back mounting Direct handle	Back mounting Ext. handle	Door mounting with screw	Door mounting Quick fix
30A	2111 3003	2111 3103	2111 3203	2111 3303
50A	2111 3005	2111 3105	2111 3205	2111 3305



Connection

Flat 6mm max

Wire	Torque
30/50 A: 14-6 AWG	26.5 lb.in / 3 Nm

Breaking-All lines for 3 phase motor ratings

Direct operation
Din rail IEC 60715 (1.37in / 35mm) or M4 mounting

Direct handle padlocking
max. Ø 0.19 in / Ø 5 mm
min. Ø 0.15 in / Ø 4 mm
Only for direct operation

O-OFF

External operation

External handle padlocking
Ø 0.35 in / Ø 9 mm

Handle cover must be removed for screws Flat screwdriver.
4 screws = PZ2/PH1, Small screw on handle = PH1 - Torque for the 4 screws: 1 to 1,3 N.m
Torque for handle screw: 1,8 to 2,3 N.m
Use type 1 rated Listed handle for USA and Canada

O-OFF

Quick fix mounting

O-OFF

STEP 1

STEP 2

STEP 3

Door mounting screw
Front mounting with 4 holes

Door max thickness: 4-screws 4 mm (use longer screw if needed) 1-hole 5,5 mm

K1 handle type mounting
21131322
21131323

O-OFF

Add poles & auxiliary contacts
Easy and uniform mounting of:

- 4th contact : 21111003, 21111203, 21111005, 21111205
- N- or PE- terminal: 21111056, 21111256, 21111076, 21111276

Auxiliary contact : NO + NC
21134000
21134200

O-OFF

Terminal shrouds

O-OFF

WARNING / ATTENTION

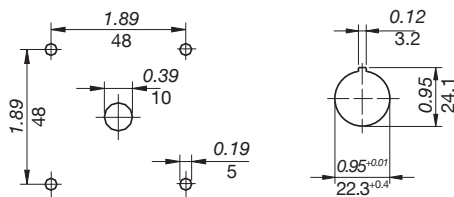
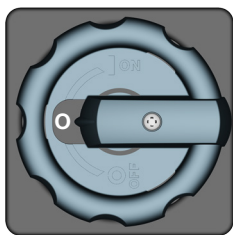
The opening of the branch-circuit protective device may be an indication that a fault has been interrupted. To reduce the risk of fire or electric shock, current-carrying parts and other components of the controller should be examined and replaced if damaged.

Le déclenchement du dispositif de protection des dériviations peut signifier qu'un courant de défaut a été interrompu. Pour réduire le risque d'incendie ou de choc électrique, les pièces porteuses de courant et les autres composants de la commande doivent être vérifiés et remplacés s'ils sont endommagés.

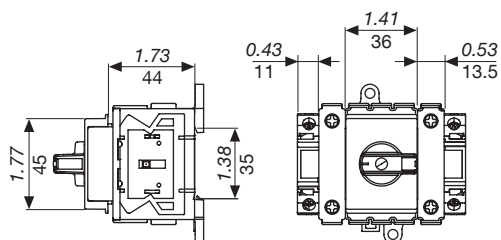
HAZARDOUS VOLTAGE. This equipment must be installed and serviced only by qualified electrical personnel. Turn off all power supplying this equipment before working on or inside equipment. Always use a properly rated voltage sensing device to confirm power is off. Replace all devices, doors, and covers before turning on power to this equipment. **Failure to follow these instructions will result in death or serious injury.**

TENSION DANGEREUSE. L'installation et l'entretien de cet appareil ne doivent être effectués que par du personnel qualifié. Coupez l'alimentation de cet appareil avant d'y travailler. Utilisez toujours un dispositif de détection de tension à valeur nominale approprié pour confirmer que toute alimentation est coupée. Remplacez tous les dispositifs, les portes et les couvercles avant de mettre cet appareil sous tension. **Si ces précautions ne sont pas respectées, cela entraînera la mort ou des blessures graves.**

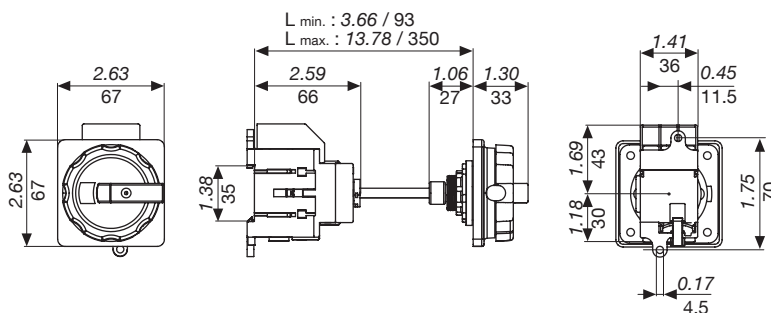
K1 handle type



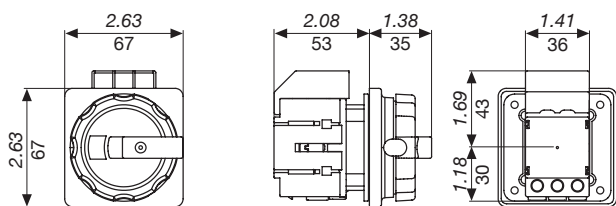
Direct operation



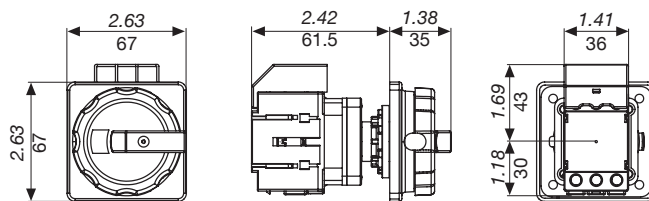
External operation



Door mounting screw



Quick fix mounting

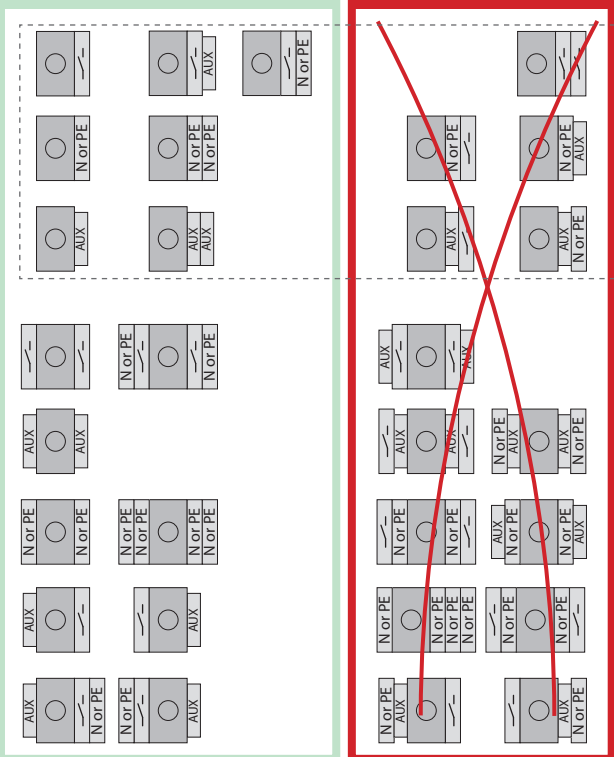


Configurations

- LBS (COMO)
- 4th-pole
- N or PE
- Solid Neutral or PE (Static)
- AUX

ALLOWED

FORBIDDEN



Enclosure

For use on a flat surface of a type 1 enclosure.
min.dimension

