



MULTIS L50

Multifunctional digital panel meter



your energy
our expertise



socomec
Innovative Power Solutions

Easy to use, upgradable and reliable

The MULTIS L50 is a panel mounted digital meter displaying multi-measurement and energy values directly on its large backlit LCD display.

Metering

- Active energy: \pm kWh
- Reactive energy: \pm kvarh
- Hours:

Harmonic analysis

- Total harmonic distortion (level 51)
 - Currents: thd I1, thd I2, thd I3
 - Phase-to-neutral voltage: thd V1, thd V2, thd V3
 - Phase-to-phase voltage: thd U12, thd U23, thd U31

Communications⁽¹⁾

- RS485 with MODBUS protocol

Output

- Remote command of device
- Pulse report

Inputs

- Remote status device

(1) Available as an option (see the following pages).



Multi-measurement

- Currents
 - instantaneous: I1, I2, I3, In
 - maximum average: I1, I2, I3, In
- Voltages & frequency
 - instantaneous: V1, V2, V3, U12, U23, U31, F
- Power
 - instantaneous: 3P, Σ P, 3Q, Σ Q, 3S, Σ S
 - maximum average: Σ P, Σ Q, Σ S
 - unbalance: U unB
- Power factors
 - instantaneous: 3PF, Σ

Advantages



Easy to use

Equipped with a large backlit screen, MULTIS L50 units display a number of indications, whilst remaining easy to view. The direct access keys enable optimum use of the available functions.



Upgradable

MULTIS L50 units can be adapted to the varying needs of multi-function measurement applications: plug-in optional modules allow additional functions to be added at any time.



Reliable

MULTIS L50 is certified IEC 62053-21 class 1 and IEC 62053-23 class 2, quality standards.

Current transformers

Socomec current transformers deliver to the secondary a standard current proportional to the primary current and adapted to the rating of the associated device. They are equipped as standard with removable terminal covers and double terminals allowing the secondary to be short-circuited without any risk.

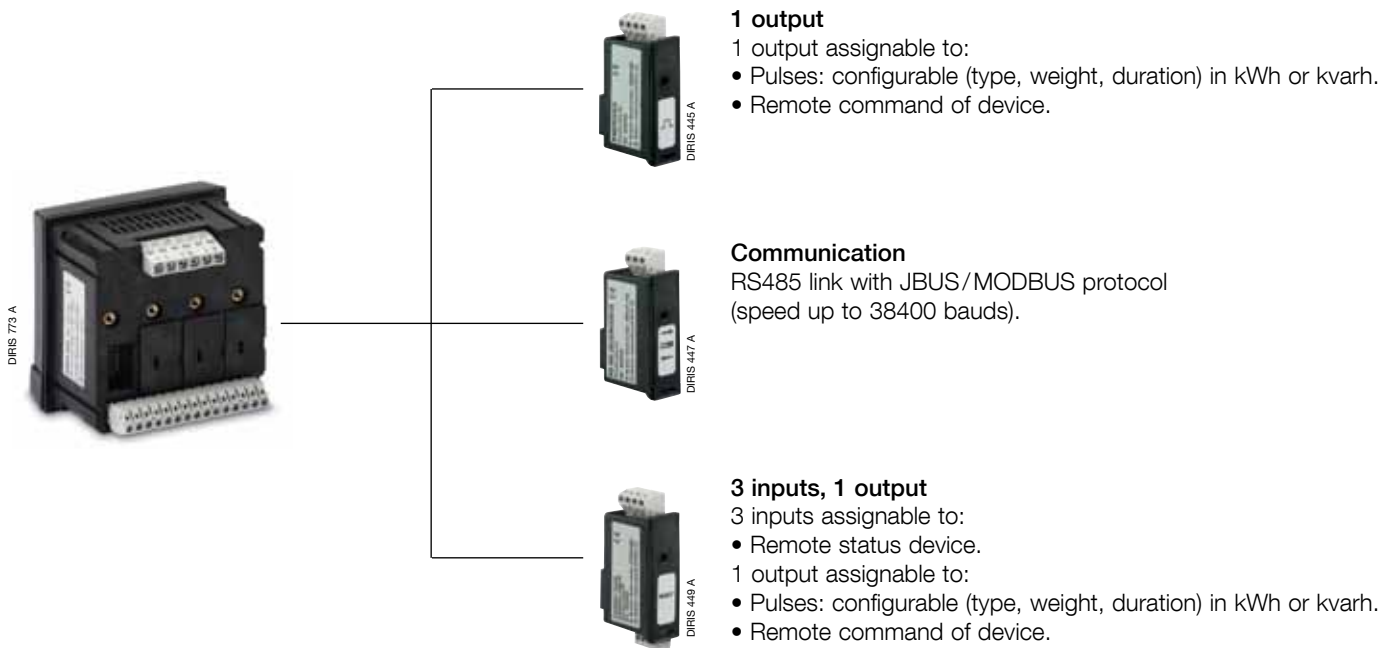


References

Primary	Secondary	Performance class 1	Performance class 0.5	Reference
50 A	5 A	0.75 VA*		196T 0050
60 A	5 A	0.75 VA*		196T 0060
75 A	5 A	0.75 VA*		196T 0075
80 A	5 A	0.75 VA*		196T 0080
100 A	5 A	1 VA		196T 0100
125 A	5 A		2.5 VA	196T 0125
150 A	5 A		2.5 VA	196T 0150
200 A	5 A		1 VA	196T 0200
250 A	5 A		2 VA	196T 0250
300 A	5 A		2 VA	196T 0300
400 A	5 A		2.5 VA	196T 0400
> 400 A		Consult us		

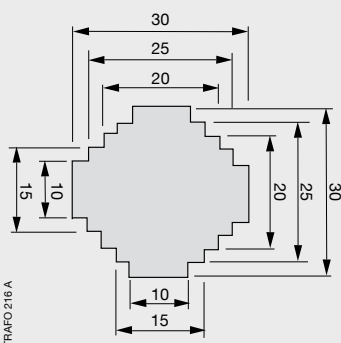
* from 50% to 100% of nominal current.

Optional modules



Basic device	Reference
Multis L50	192J 9120
Optional plug-in modules	
1 output	4825 0080
RS485 MODBUS® communication	4825 0082
3 inputs, 1 output	4825 0083

Dimensions



Dimensions (Ø)	mm
Bar 1	30 x 10
Bar 2	25 x 15
Bar 3	20 x 20
Cable	20
Dimensions (H x W x D)	mm
Height	73.5
Width	49
Depth	32

Socomec worldwide

SINGAPORE

Critical Power / Power Control & Safety /
Energy Efficiency
11 Ubi Road 1
#02-01 Meiban Industrial Building
408723 Singapore
Tel. +65 6506 7600
Fax +65 64 58 7377
info.sg@socomec.com

IN ASIA PACIFIC

AUSTRALIA

Critical Power / Power Control & Safety
info.ups.au@socomec.com

CHINA

Critical Power / Power Control & Safety /
Energy Efficiency
info.cn@socomec.com

INDIA

Critical Power / Power Control & Safety /
Energy Efficiency
info.in@socomec.com

THAILAND

Critical Power
info.ups.th@socomec.com

IN EUROPE

BELGIUM

Critical Power / Power Control & Safety /
Energy Efficiency
info.be@socomec.com

FRANCE

Critical Power / Power Control & Safety /
Energy Efficiency
dcm.ups.fr@socomec.com

GERMANY

Critical Power
info.ups.de@socomec.com
Power Control & Safety / Energy Efficiency
info.scp.de@socomec.com

ITALY

Critical Power
info.ups.it@socomec.com
Power Control & Safety / Energy Efficiency
info.scp.it@socomec.com

NETHERLANDS

Critical Power / Power Control & Safety /
Energy Efficiency
info.nl@socomec.com

POLAND

Critical Power
info.ups.pl@socomec.com
Power Control & Safety / Energy Efficiency
info.scp.pl@socomec.com

PORTUGAL

Critical Power / Power Control & Safety /
Energy Efficiency
info.ups.pt@socomec.com

ROMANIA

Critical Power / Power Control & Safety /
Energy Efficiency
info.ro@socomec.com

SERBIA

Critical Power / Power Control & Safety /
Energy Efficiency
info.rs@socomec.com

SLOVENIA

Critical Power / Power Control & Safety /
Energy Efficiency
info.si@socomec.com

SPAIN

Critical Power / Power Control & Safety /
Energy Efficiency
info.es@socomec.com

SWITZERLAND

Critical Power
info@socomec.ch

TURKEY

Critical Power / Power Control & Safety /
Energy Efficiency
info.tr@socomec.com

UNITED KINGDOM

Critical Power / Power Control & Safety /
Energy Efficiency
info.uk@socomec.com

IN MIDDLE EAST

UNITED ARAB EMIRATES

Critical Power / Power Control & Safety /
Energy Efficiency
info.ae@socomec.com

IN AMERICA

USA, CANADA & MEXICO

Power Control & Safety / Energy Efficiency
info.us@socomec.com

OTHER COUNTRIES

NORTH AFRICA

Algeria / Morocco / Tunisia
info.naf@socomec.com

AFRICA

Other countries
info.africa@socomec.com

SOUTH EUROPE

Cyprus / Greece / Israel / Malta
info.se@socomec.com

SOUTH AMERICA

info.es@socomec.com

MORE DETAILS

www.socomec.com/worldwide

HEAD OFFICE

SOCOMECS GROUP

SAS SOCOMECS capital 10 686 000 €
R.C.S. Strasbourg B 548 500 149
B.P. 60010 - 1, rue de Westhouse
F-67235 Benfeld Cedex - FRANCE
Tel. +33 3 88 57 41 41
Fax +33 3 88 74 08 00
info.scp.isd@socomec.com

YOUR DISTRIBUTOR / PARTNER

www.socomec.sg

your energy
our expertise

