

Modular transducers

Indicators and transducers



trans_076_a_1_cat

Current transducer

Function

SOCOMEC **modular transducers** are particularly suited to the service sector. They come in widths of multiples of 17.5 mm, are mounted on a symmetrical rail and fit into a 45-mm high cutout.

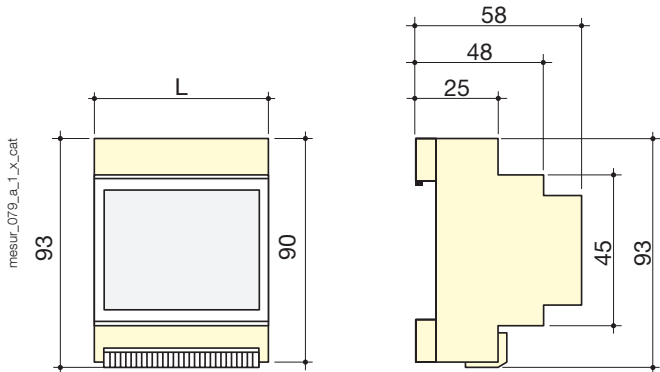
Characteristics

- Insulation voltage 600 V.
- Dielectric quality: 2 kV - 50 Hz - 1 mn.
- Frequency 50 Hz.
- Permanent overload: 1.2 In and/or 1.2 Un depending on the device.
- Operating temperature: -25 to + 50°C.

Composition of the range

- Modular case 6 o modules.
- Self-powered current transducer.
- Current transducer with auxiliary power supply.

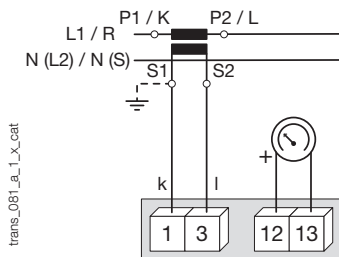
Dimensions



Number of modules	Front panel protection degree	Terminals protection degree	L (mm)	Mounting
6	IP54	IP20	105	DIN rail 35 mm

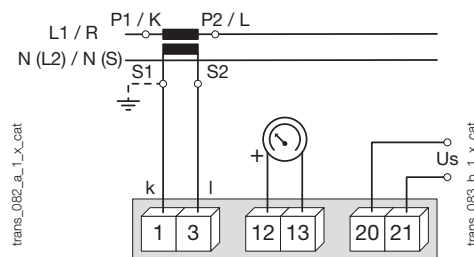
Connections

Self-powered current transducer



Connections with 1 CT without U_s

Current transducer with auxiliary power supply



Connections with 1 CT and U_s

References

Current transducer

Input	Output	Auxiliary power supply	Frequency	Number of modules	CMA-A4 Reference
5 A	4 - 20 mA	230 VAC	50 Hz	6	192Y 5015
5 A	0 - 20 mA	Self-powered	50 Hz	6	192Y 5013
1 A	4 - 20 mA	230 VAC	50 Hz	6	192Y 5022