



552531B

Enclosed Automatic Transfer Switch



To download, brochures, catalogues and technical manuals:
<https://www.socomec.co.in/en-in/resource-center>
www.socomec.co.in



1 Installation

Preliminary operations

Check the following upon delivery and after removal of the packaging:

- Packaging and contents are in good condition.
- The product reference corresponds to the order.

Warning

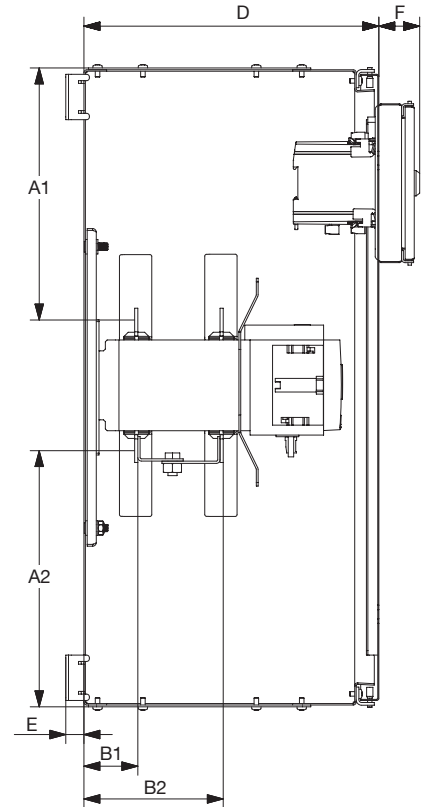
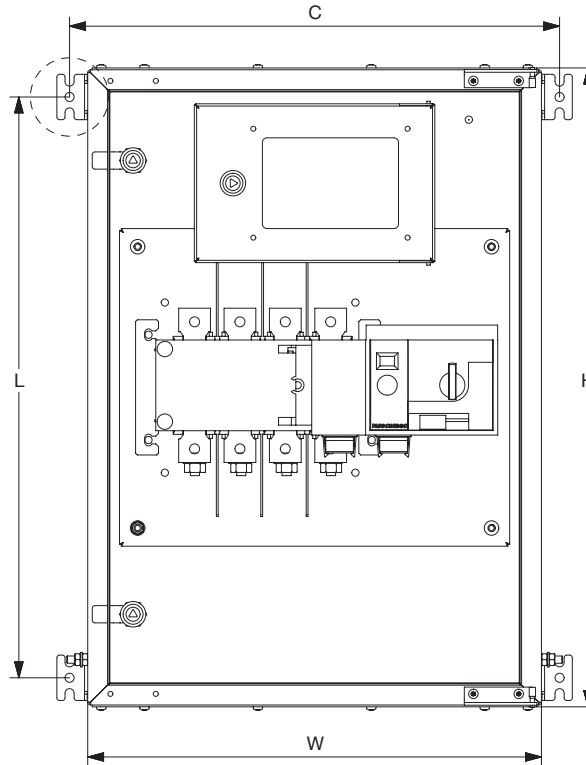
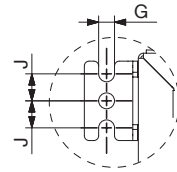
⚠ Risk of electrocution, burns or injury to persons and / or damage to equipment.

This Quick Start is intended for personnel trained in the installation and commissioning of this product. For further details refer to the product instruction manual available on the SOCOMEC website.

- This product must always be installed and commissioned by qualified and approved personnel.
- Maintenance and servicing operations should be performed by trained and authorised personnel.
- Do not handle any control or power cables connected to the product when voltage may be, or may become present on the product, directly through the mains or indirectly through external circuits.
- Always use an appropriate voltage detection device to confirm the absence of voltage.
- Ensure that no metal objects are allowed to fall in the cabinet (risk of electrical arcing).

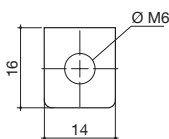
Failure to observe good engineering practises as well as to follow these safety instructions may expose the user and others to serious injury or death.

⚠ Risk of damaging the device. In case the product is dropped or damaged in any way it is recommended to replace the complete product. Installation standards must be respected.

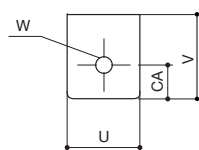


Item codes	HxWxD (mm)	Weight (Kg)	Rating	A1	A2	B1	B2	C	E	F	G	J
87154004	Size 1 500x400x275	19.5	40 A	206,5	206,5	58	114,5	440	20	50	10	17
87154006		19.5	63 A	206,5	206,5	58	114,5	440	20	50	10	17
87154008		20	80 A	179,5	179,5	64	120,5	440	20	50	10	17
87154010		20	100 A	179,5	179,5	64	120,5	440	20	50	10	17
87154012		20	125 A	179,5	179,5	64	120,5	440	20	50	10	17
87154016	Size 2 500x450x325	28	160 A	163,5	163,5	64	160	490	20	50	10	17
87154020			200 A	163,5	163,5	64	160	490	20	50	10	17
87154025	Size 3 700x500x325	35.5	250 A	285	285	59,4	153,5	540	20	50	10	17
87154031		36	315 A	280	280	59,4	153,5	540	20	50	10	17
87154040		36	400 A	280	280	59,4	153,5	540	20	50	10	17
87154063	Size 4 800x600x400	55	630 A	290	290	73	201	640	20	50	10	17
87154080	Size 5 1000x725x475	88	800 A	366	366	80	268	765	20	50	10	17

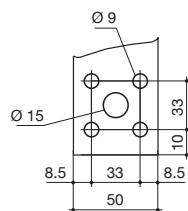
2 Power terminals dimensions in mm



Frame B2



Frames B3 to B5



Frame B6

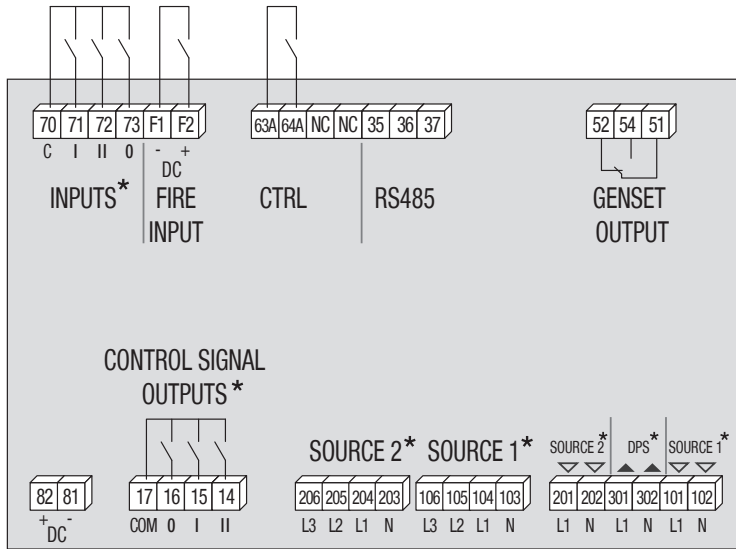
Frame	Rating	U	V	W	CA
B3	160	20	25	9	10
	200	20	25	9	10
B4	250	25	30	11	15
	315	35	35	11	15
	400	35	35	11	15
B5	630	45	50	13	20

3 Recommended cross sections

Cable termination must be done in accordance with good practice.

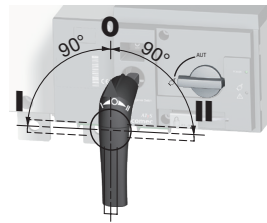
Rating (A)	40	63	80	100	125	160	200	250	315	400	630	800
Maximum Al. cable connection (mm²)	35		50	70	120	150	185	2 x 120	2 x 150	2 x 300	3 x 240	
Type of screw	M6		M6	M6	M8	M8	M10	M10	M10	M12	M12	
Recommended tightening torque (N.m)	4.5		4.5	4.5	8.3	8.3	20	20	20	40	40	
Maximum tightening torque (N.m)	5.4		5.4	5.4	13	13	26	26	26	45	45	

4 Connections



(*) Already wired to the ATyS switch through harness.

5 Manual Operation



6 Padlocking Mode (as standard : in position O)



7 Configuration of the controller

For more detail, please refer to the controller manual, ref.: 549780.

HMI



- ① Source 1 availability information (Green fixed when source 1 is present and available and within threshold limits, green blinking when source 1 is present but outside of threshold limits, off when under 50VAC)
- ② Switch 1 LED position indication (Green fixed when in position 1)
- ③ Zero position LED indication (Yellow when in position 0)
- ④ Load supplied information (Green fixed when load is supplied by an available source) green blinking when load is supplied with a source which is present but outside of threshold limits)
- ⑤ Switch 2 LED position indications (Green fixed when in position 2)
- ⑥ Source 2 availability information (Green fixed when source 2 is present and available and within threshold limits, green blinking when source 2 is present but outside of threshold limits, off when under 50VAC)
- ⑦ Auto LED indication (green fixed when in automatic, blinking when transfer is ongoing or when a fault is active, off when in manual mode), inhibit mode or test mode
- ⑧ Test LED (Yellow fixed when test on load is ongoing) orange blinking
- ⑨ Configurations dip switches (see settings)
- ⑩ Run LED (Green when product is powered)
- ⑪ COM LED (yellow blinking when RS communications is ongoing)
- ⑫ Fault LED (Red blinking – long blink when fault or inhibit is activated (63A/64A open), short blink when a dip switch parameter has been changed and needs validation)
- ⑬ Fire (Red when fire input is activated)
- ⑭ Change AUTO/MANU pushbutton, press at least 3 seconds to switch from AUTO to MANU or MANU to AUTO
- ⑮ Remote order to switch positions, controller must be in MANU mode for the buttons to be active
- ⑯ Test button with two functions lamp test and TEST ON LOAD. To start a lamp test short press on the test button (<3s), press again (<3s) to end test. To start a TEST ON LOAD, long press on the test button (>3s), when LED (8) is blinking press the "0" button. To end the TEST on load long press on the test button (>3s)

Settings

	1	2	3	4	5	6	7	8	Res
A									
B									
1	2	3	4	5	6	7	8		
Network	Prio set	Order Mod	$\Delta U/\Delta F$	ODT	FT	RT			
3P+N A	S1 A	Pulse A	10% 5% A	2s A	3s A	3 min A			
1P+N B	no prio B	Maint. B	20% 10% B	0s B	10s B	30min B			
							0 min A		
							A A		
							A B		
							10 min B		
							B A		
							10 min B		
							B B		
							30min B		
							B B		



Warning : Product must be in manual mode (LED 7 OFF) for configuration changes.

After changing DIP switch settings press RES button (<3s) to validate.

To reboot the product press RES for 15s.

DIP Switch		
1. Network	A	Three phase network
	B	Single phase network
2. Prio Set	A	Priority source 1
	B	No priority
3. Order Mod	A	Control mode impulse logic
	B	Control mode contactor logic
4. $\Delta U/\Delta F$	A	Over threshold and under threshold setting at $\pm 10\%$ of nom voltage / $\pm 5\%$ of nominal frequency (hysteresis value is 20% of $\Delta U/\Delta F$)
	B	Over threshold/under threshold setting at $\pm 20\%$ of nom voltage / $\pm 10\%$ of nominal frequency (hysteresis value is 20% of $\Delta U/\Delta F$)
5. ODT	A	Time in position 0: 2 second (ODT = 2 sec)
	B	Time in position 0: 0 second (ODT = 0 sec)
6. FT	A	Wait time of 3s before source is lost (Fail timer = 3s)
	B	Wait time of 10s before source is lost (Fail timer = 10s)
7/8. RT	AA	Wait time of 0min (3s) before source returns (Return timer = 0min (3s))
	AB	Wait time of 3min before source returns (Return timer = 3min)
	BA	Wait time of 10min before source returns (Return timer = 10min)
	BB	Wait time of 30min before source returns (Return timer = 30min)

